

FOUR VOICE ELECTRONICS CONNECTIONS

CHANNEL OUTPUT (TYPICAL FOUR PLACES)

<u>PIN</u>	<u>FUNCTION</u>
1	} GATE OUT
2	
3	} GROUND
4	
5	} CONTROL VOLTAGE OUT
6	

KEYBOARD CONNECTOR

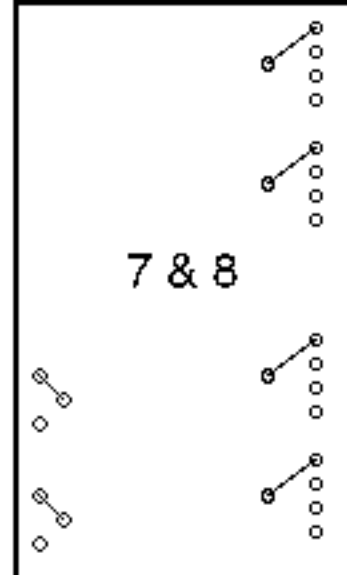
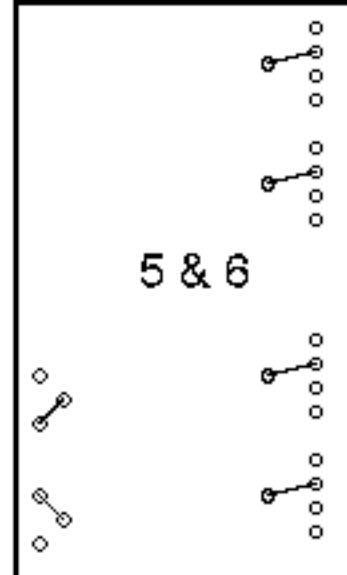
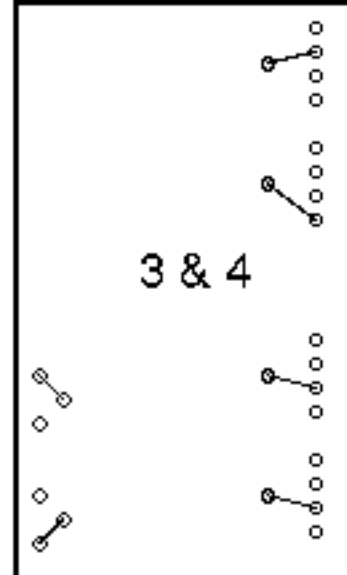
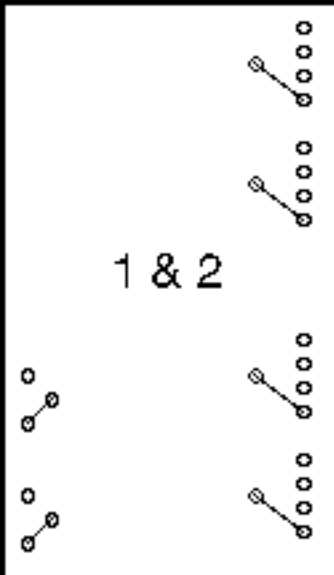
<u>PIN</u>	<u>PIN ON DECODE BOARD CONN. (12 PIN MOLEX)</u>	
1	12	(A1)
2	11	(A2)
3	10	(A3)
4	1	(A4)
5	3	(A5)
6	2	(A6)
7	7	(GND1)
8	4	(+V)
9	9	(KBUS)
10 (KEY)	—	

POWER CONNECTOR

<u>PIN</u>	<u>FUNCTION</u>
1	+18.5
2	GND
3 (KEY)	—
4	-18.5

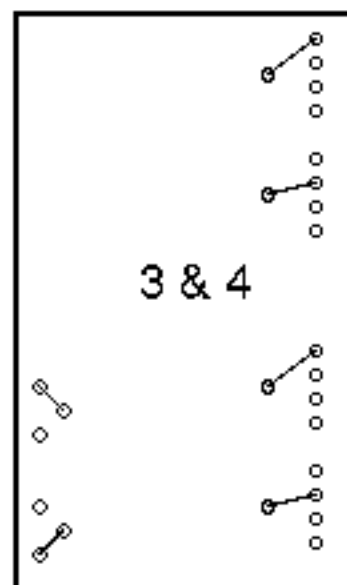
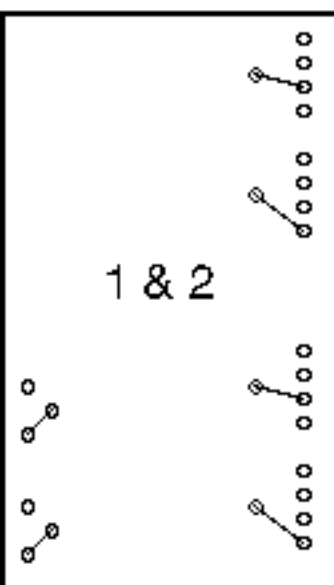
TUNE CONNECTOR

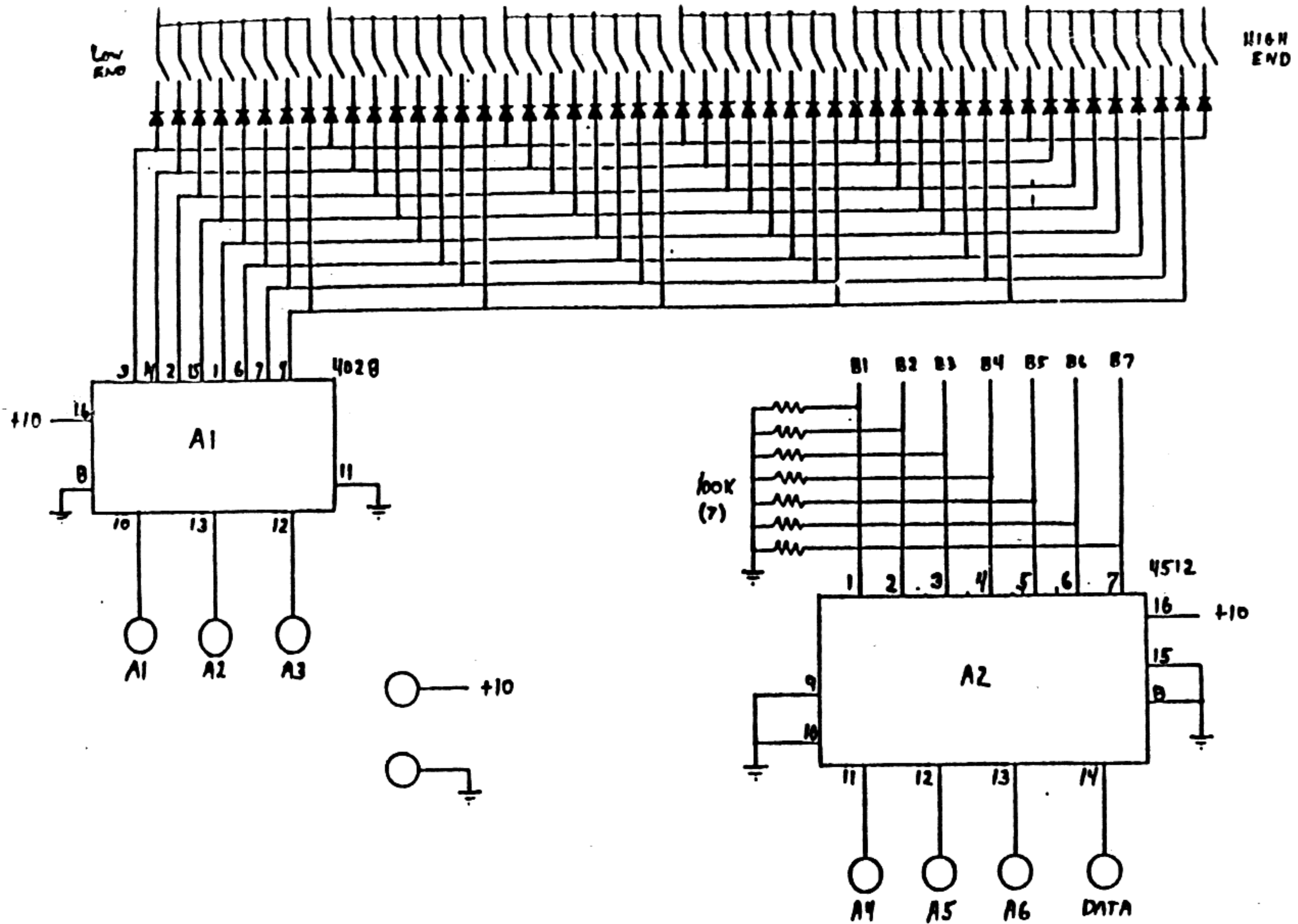
<u>PIN</u>	<u>FUNCTION</u>
1	VCO TUNE
2	GROUND
3	VCF TUNE



Eight Voice

Four Voice





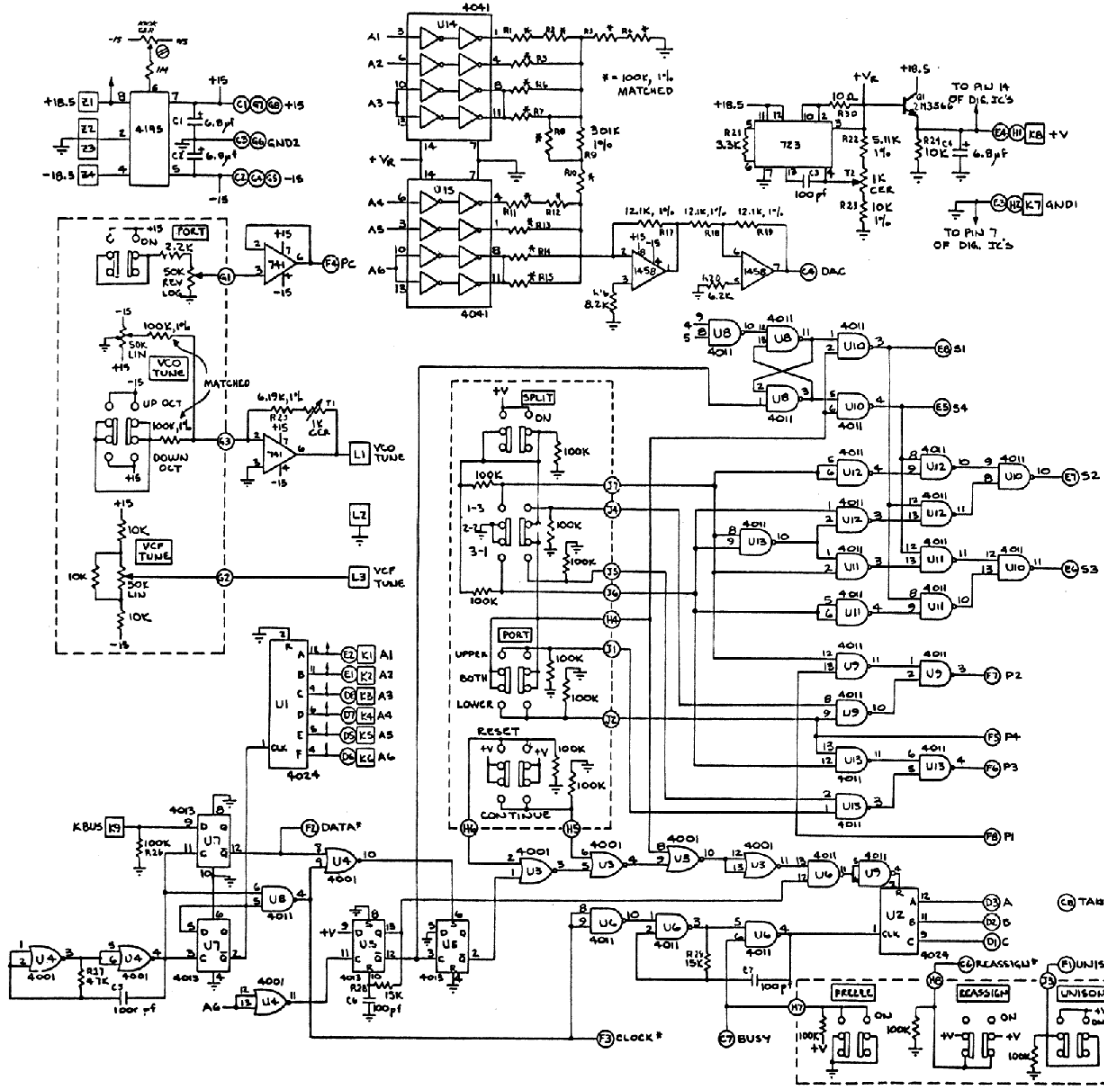
NOTES:

- 1) A1 AND A2 TO BE MOUNTED IN SOCKETS
- 2) ○ DENOTES SOLDERABLE PINS ON P.C BOARD
- 3) ALL RESISTORS 5% 1/4 OR 1/2 WATT

OBENHEIM ELECTRONICS, INC

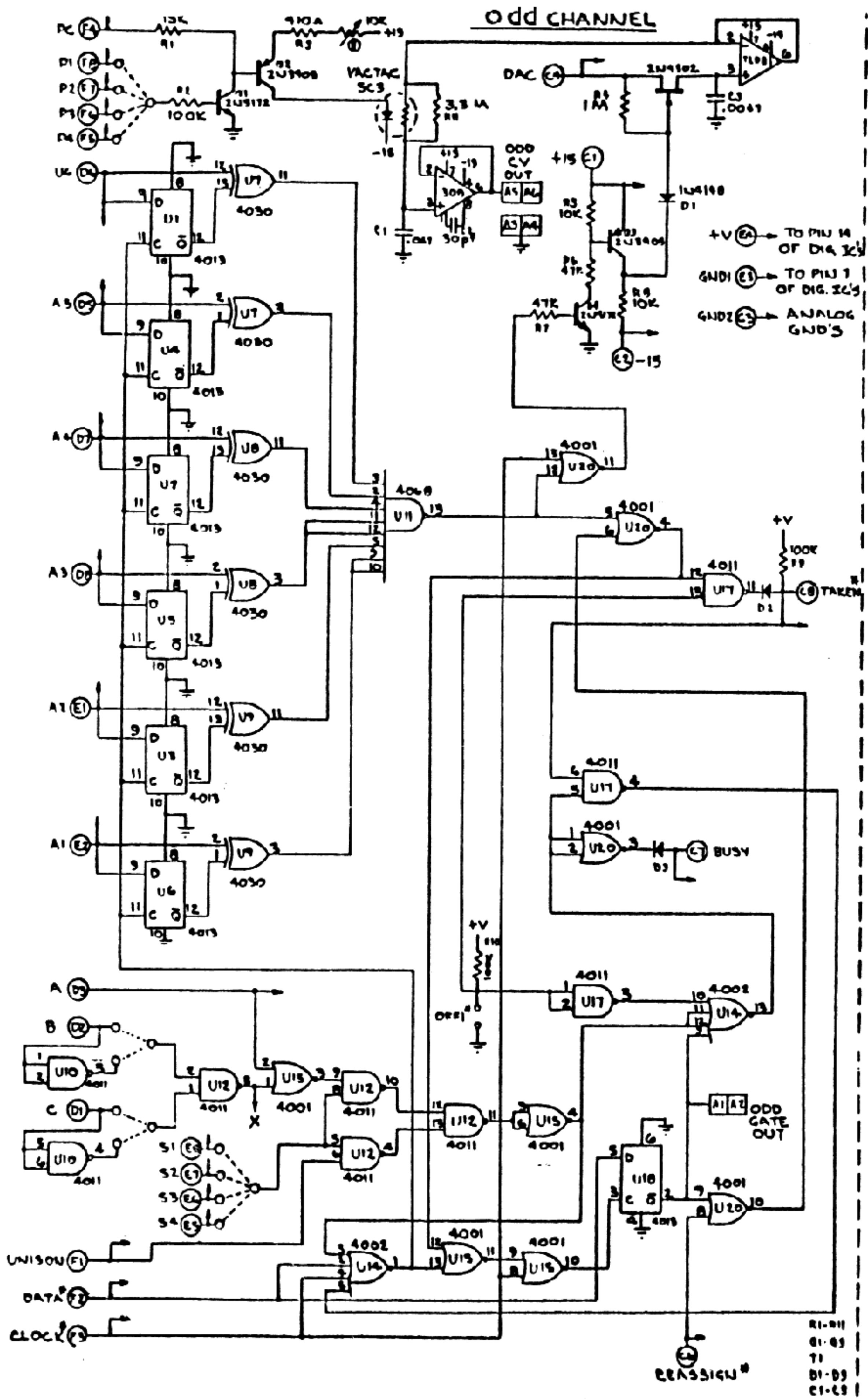
49 NOTE KEYBOARD
WITH DECODER

7/77

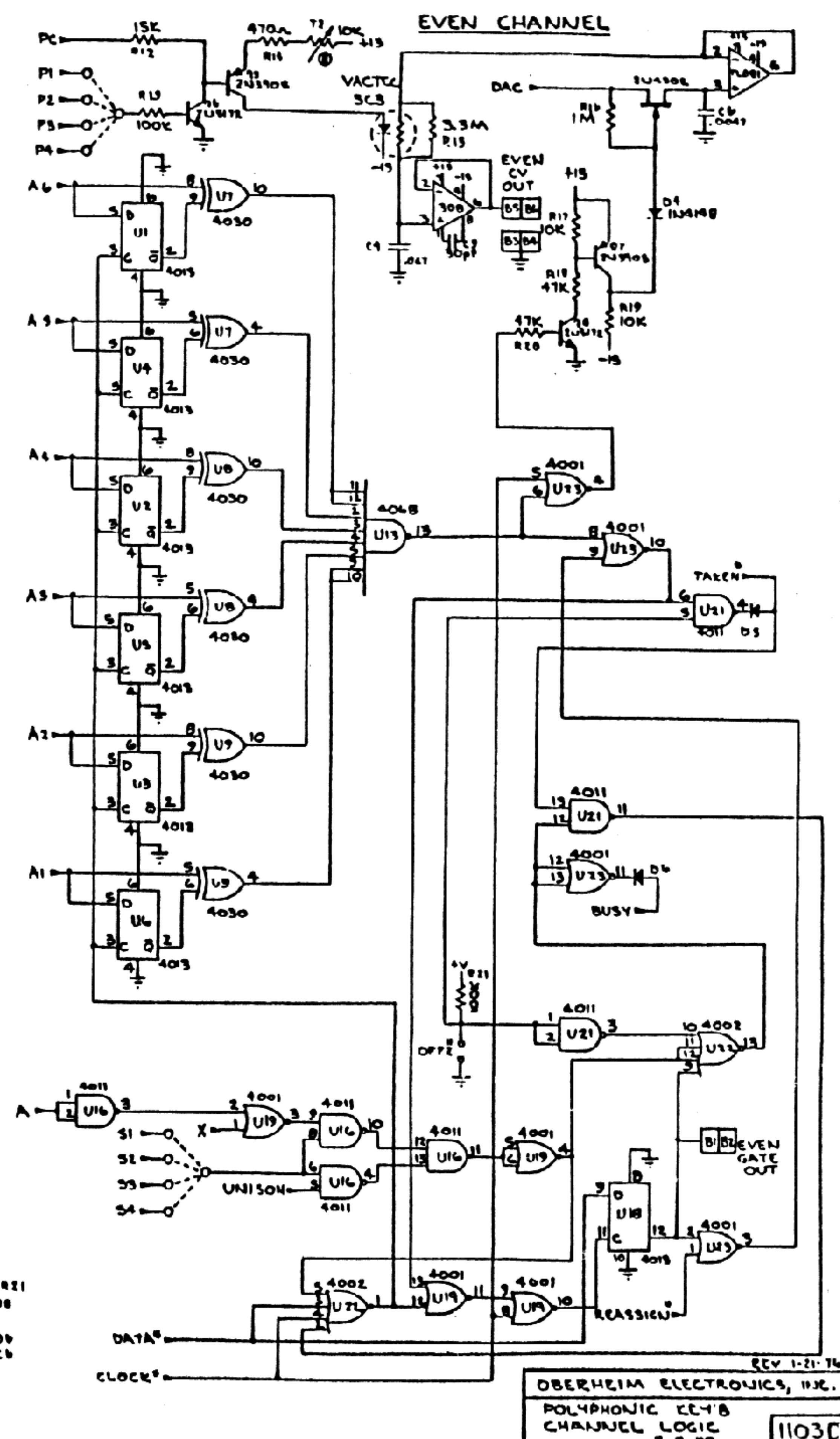


- NOTES:
 (UNLESS SPECIFIED OTHERWISE)
 1. ALL RESISTORS ARE 1/4, 5%
 2. ALL CAPACITORS IN μ F
 3. ALL NPN TRANSISTORS - 2N3172
 4. ALL PNP TRANSISTORS - 2N3903
 5. ALL DIODES - 1N4148
 6. ALL FET'S - 2N4302
- C1-C7
 Q1
 T1-T2
 R1-R30

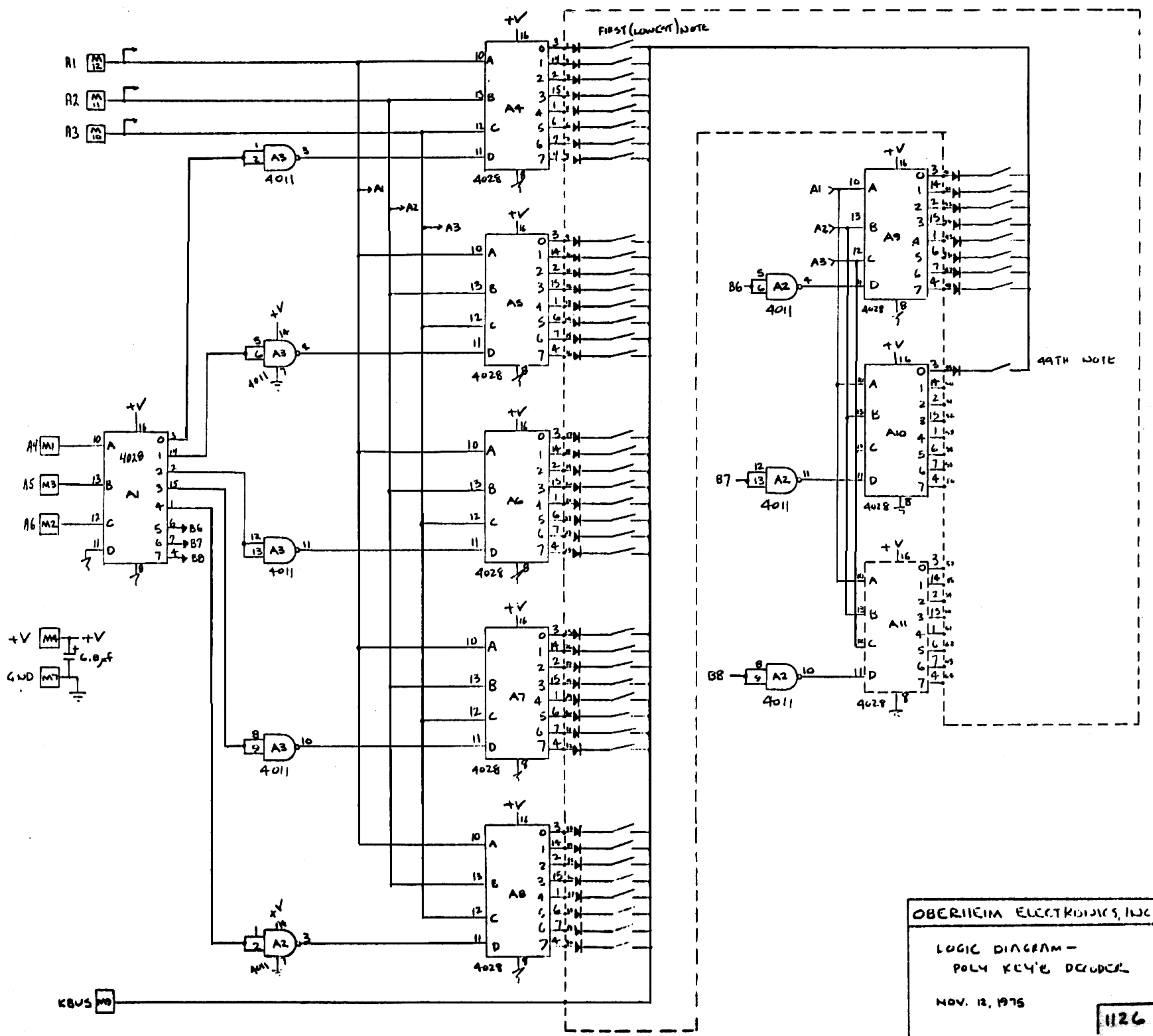
ODD CHANNEL



EVEN CHANNEL



R1-R11
03-88
T2
01-88
02-26
R1-R11
01-85
T1
01-85
01-85



OBERHEIM ELECTRONICS, INC
 LOGIC DIAGRAM -
 POLY KEY DECODER
 NOV. 12, 1975